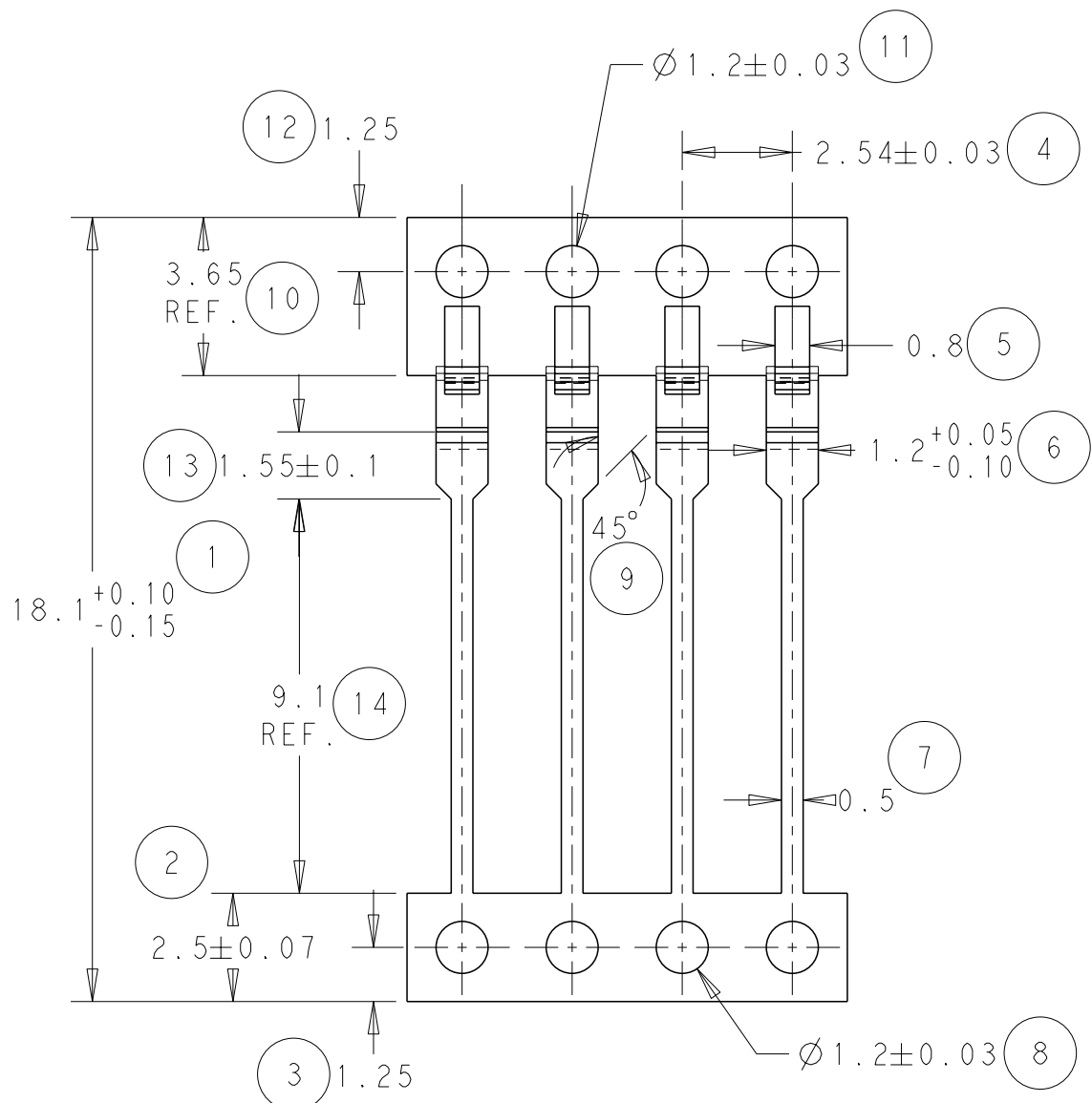
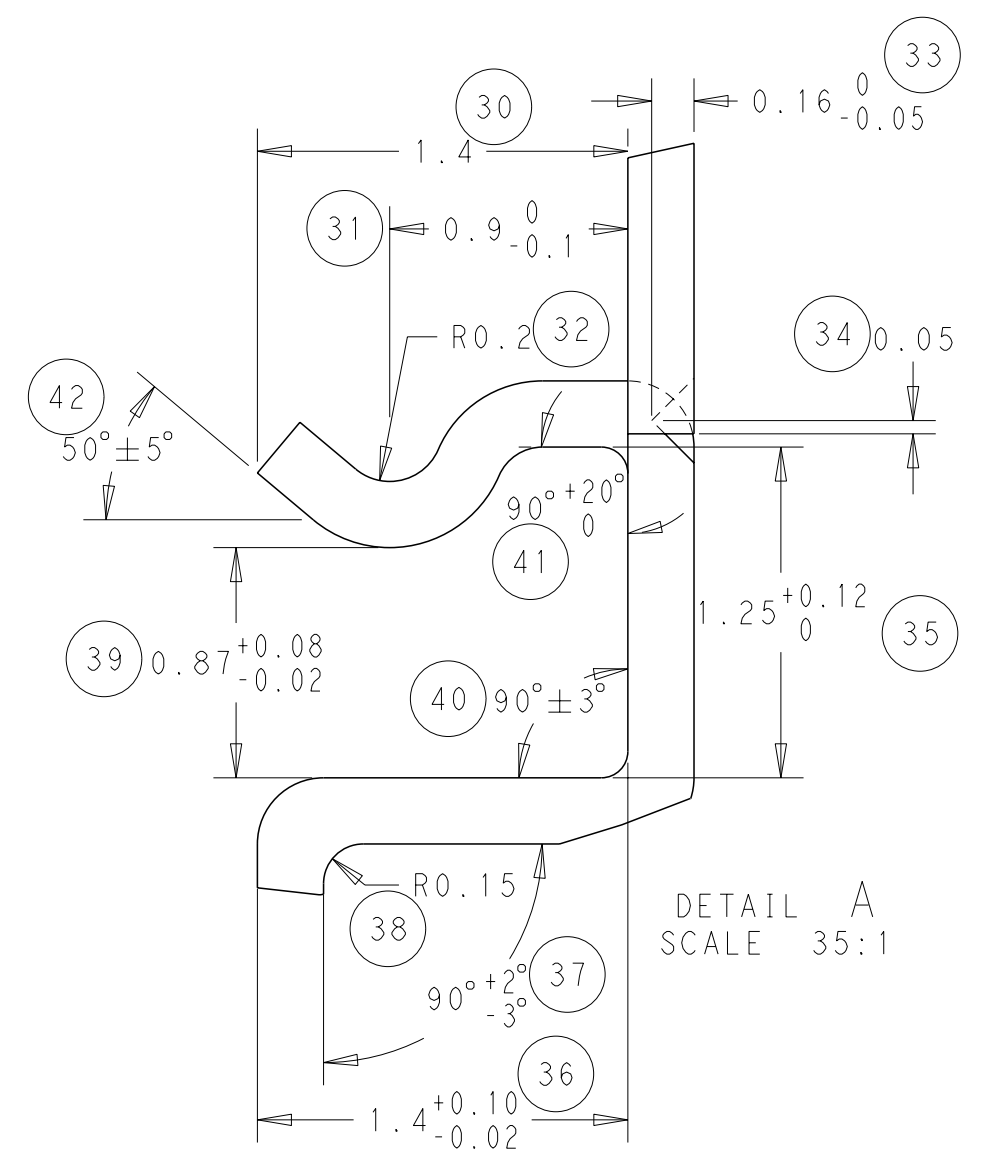
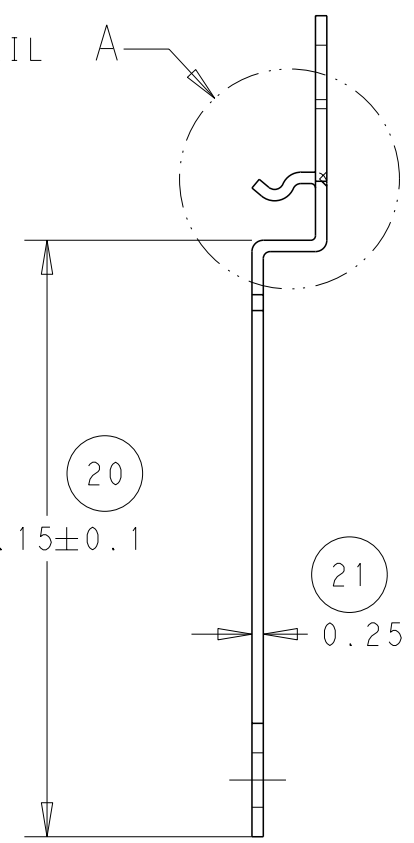


THIS DRAWING IS UNPUBLISHED. RELEASED FOR PUBLICATION 2011
 © COPYRIGHT 2011 TE CONNECTIVITY ALL RIGHTS RESERVED.

LOC	DIST	REVISIONS					
B	-	P	LTR	DESCRIPTION	DATE	DWN	APVD
			D	ECR-11-018847	13/09/11	JB	MG
			E	ECR-13-008169	29/05/13	MJG	DP

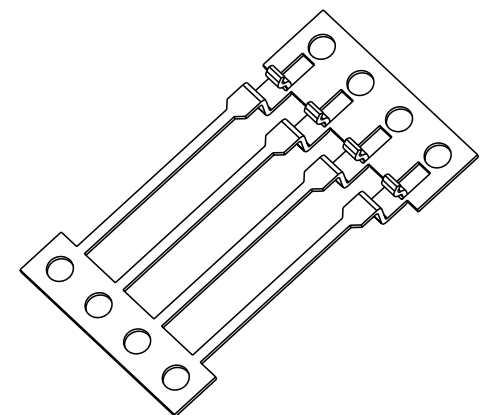


SEE DETAIL A

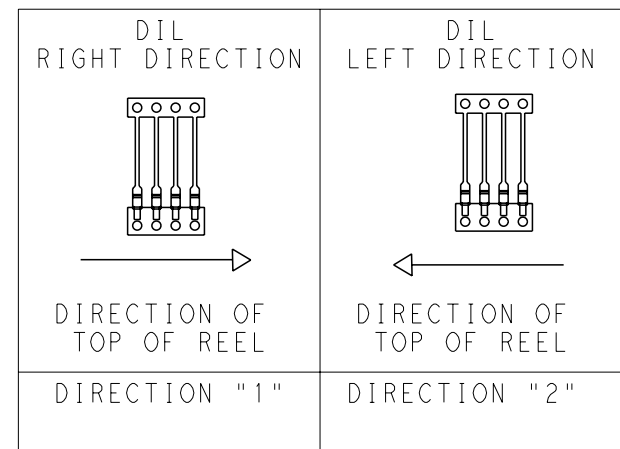


DETAIL A
SCALE 35:1

NOTE
 BOWING: AFTER UPPER TIE BAR REMOVAL - 1.5mm MAX. FOR 500mm
 PITCH: AFTER UPPER TIE BAR REMOVAL - 2.54 ± 0.127



SCALE 3:1



THIS DRAWING IS A CONTROLLED DOCUMENT.

DIMENSIONS:	TOLERANCES UNLESS OTHERWISE SPECIFIED:
mm	
0 PLC	±
1 PLC	±
2 PLC	±0.05
3 PLC	±
4 PLC	±
ANGLES	±0.5
FINISH	-

MATERIAL SEE ABOVE.

DWN	J. BRIGHT	12/09/11
CHK	M. GREENER	12/09/11
APVD	D. PENNINGTON	12/09/11
PRODUCT SPEC	-	-
APPLICATION SPEC	-	-
WEIGHT	-	-

		TE Connectivity	
NAME DIL CONTACT			
SIZE	CAGE CODE	DRAWING NO	RESTRICTED TO
A3	00779	C-1544443	-
CUSTOMER DRAWING		SCALE NTS	SHEET 1 OF 1 REV E

2	Ni & Sn	1544443-4
2	Sn	1544443-3
1	Ni & Sn	1544443-2
1	Sn	1544443-1
REELING	FINISH	PART NUMBER